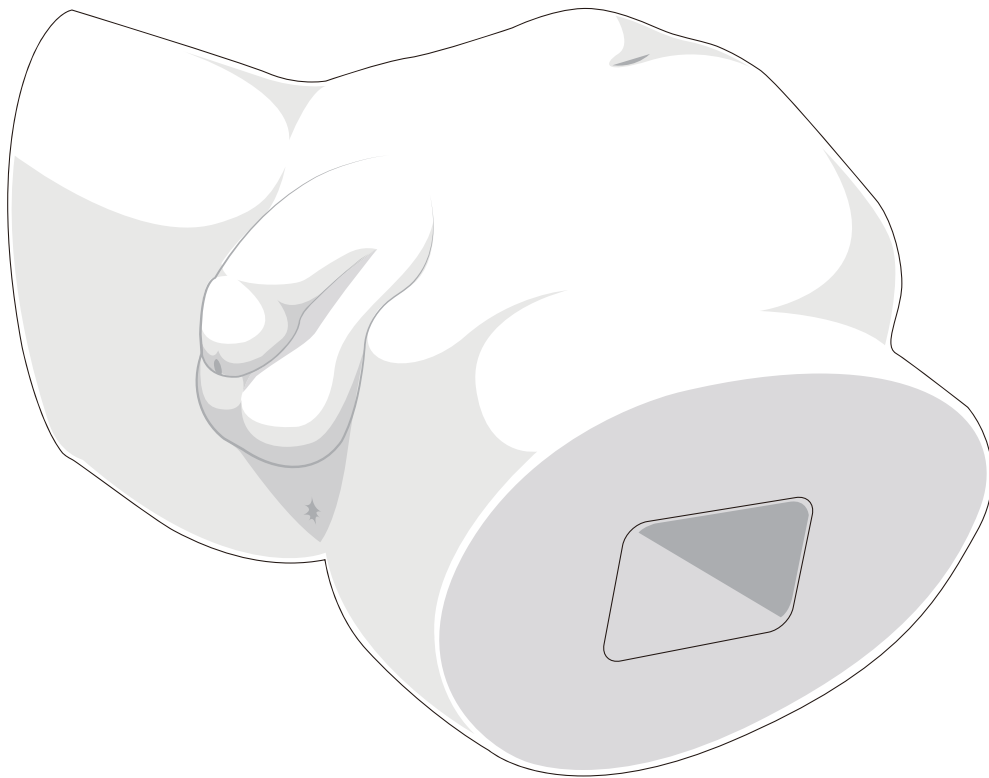


BT-CSCM

Male Catheterization Training Model

USER GUIDE



User Guide



Product Information

Product Name	Male Catheterization Training Model
Model Name	BT-CSCM
Manufacturer	BT Inc.
Country of Origin	Republic of Korea

Product Specification

Dimensions	430 X 280 X 200mm
Weight	3.5kg

Customer Service

Website	www.btinc.co.kr
Address	A-313, Samsung Techno-valley, 140, Tongil-ro, Deogyang-Gu, Goyang-Si, Gyeonggi-do, 10594, Republic of Korea
Telephone	+82-2-2038-2903
E-mail	bt@btinc.co.kr

| Cautions

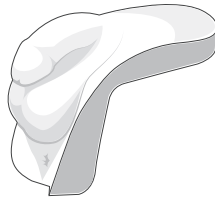
Please read it carefully to ensure correct usage and user's safety through understanding of the product.

- ① Do not use the product for other purposes described in this manual.
- ② If you disassemble or modify the product without any permission by BT Inc, you cannot get the warranty. Also, making imitated or altered products for commercial purposes are prohibited by law.
- ③ Please avoid extremely hot or cold place and do not store it in a humid place for a long time since it may cause a deformation or a damage to the product.
- ④ Never clean the product with chemical substances such as solvent, benzene or thinner, as these may cause ignition or cause the surface deterioration.
- ⑤ BT Inc. can change or adjust the product specification without any notice in order to improve the product.

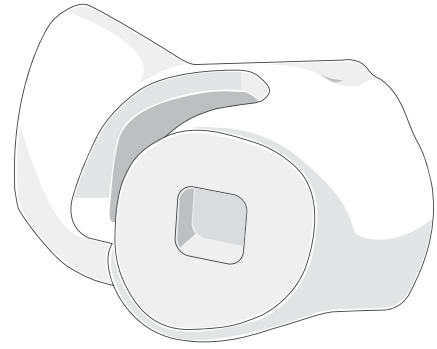
Components



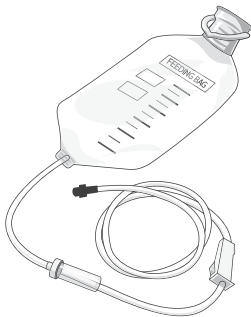
Preputium



Male external genitalia model

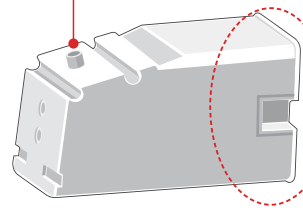


Adult buttocks model

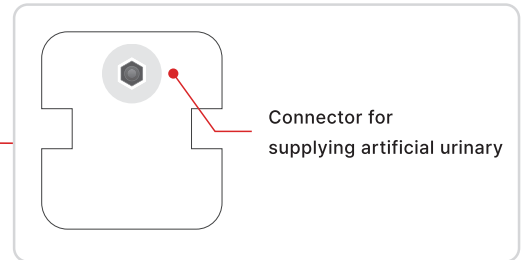


Urinary supply bag

Urinary meatus



Internal genitalia module



Connector for supplying artificial urinary

* etc. - Storage bag

Consumables

- Male external genitalia model
- Internal genitalia module
- Preputium
- Chemical check valve

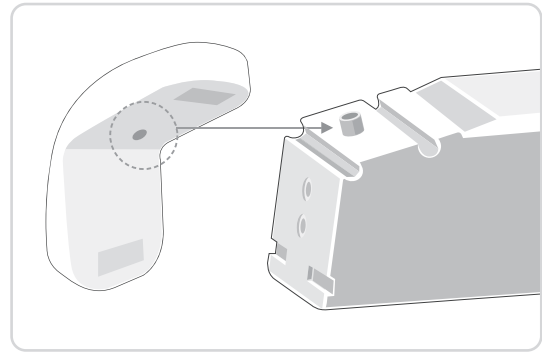
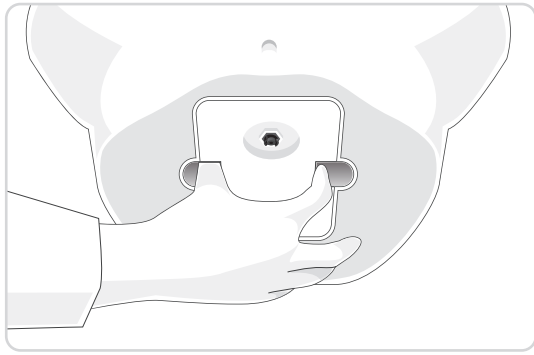
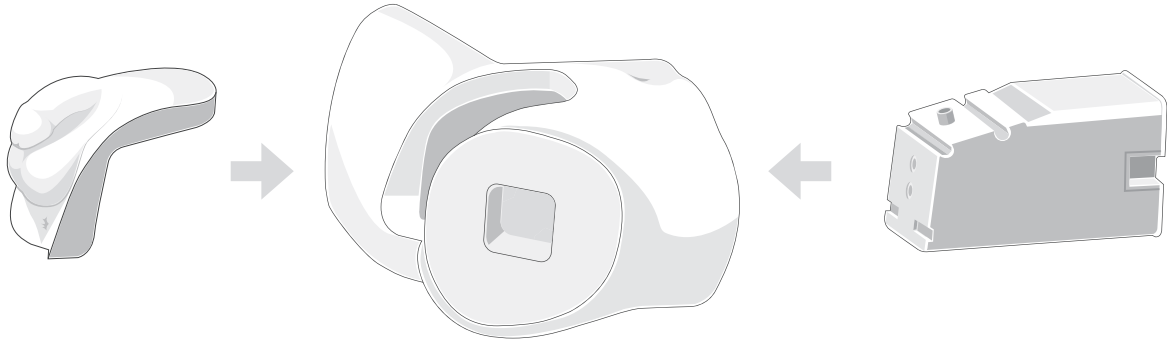
Recommended Clinical Supply Sizes

Nelaton's catheter	7~8Fr
Indwelling catheter	16~18Fr

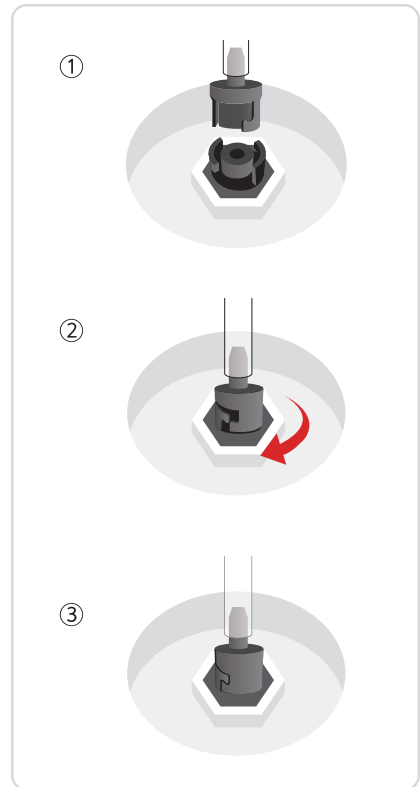
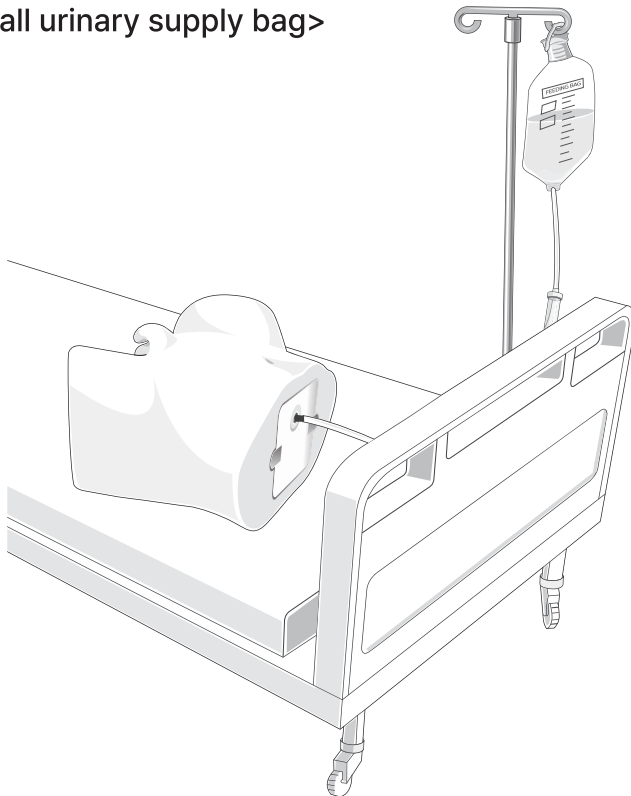
- The following clinical supply sizes are recommended for use with our Male Catheterization Training Model.
- Other sizes may cause damage to the products.
- Lifetime of the consumables may differ depending on the skill level of the users.

Installation

<Install male catheterization training model>

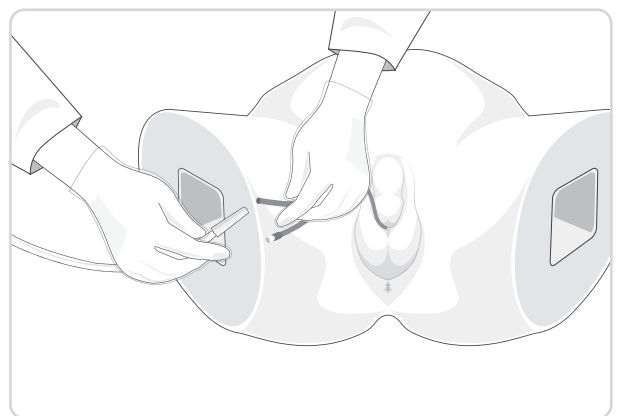
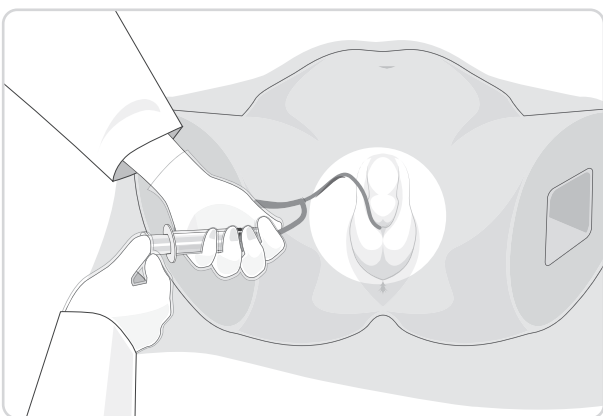
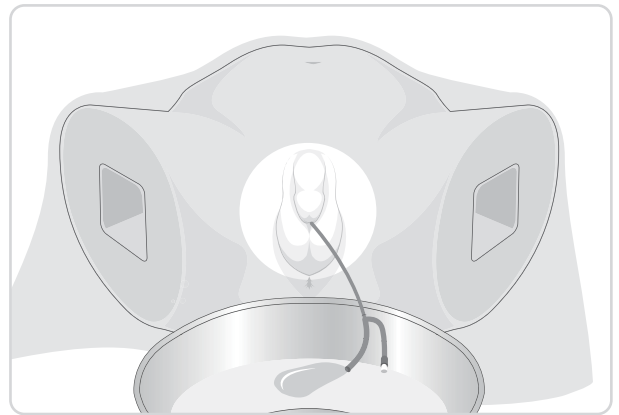
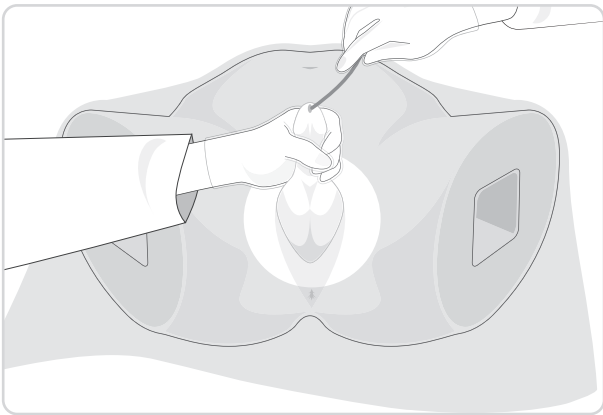
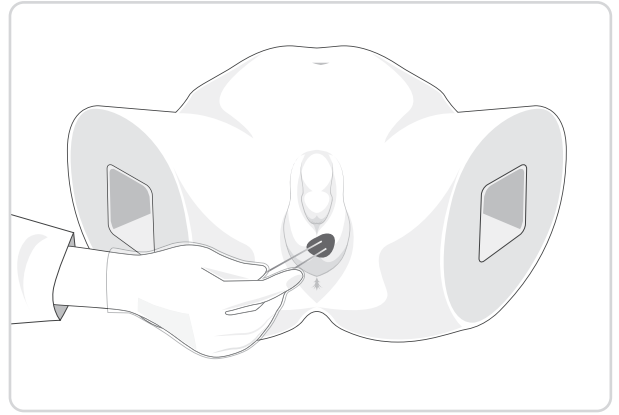
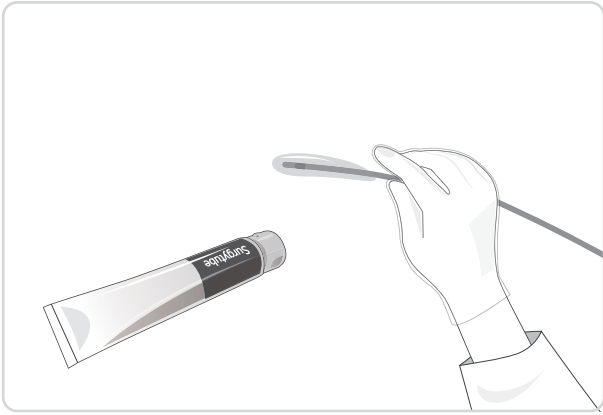


<Install urinary supply bag>



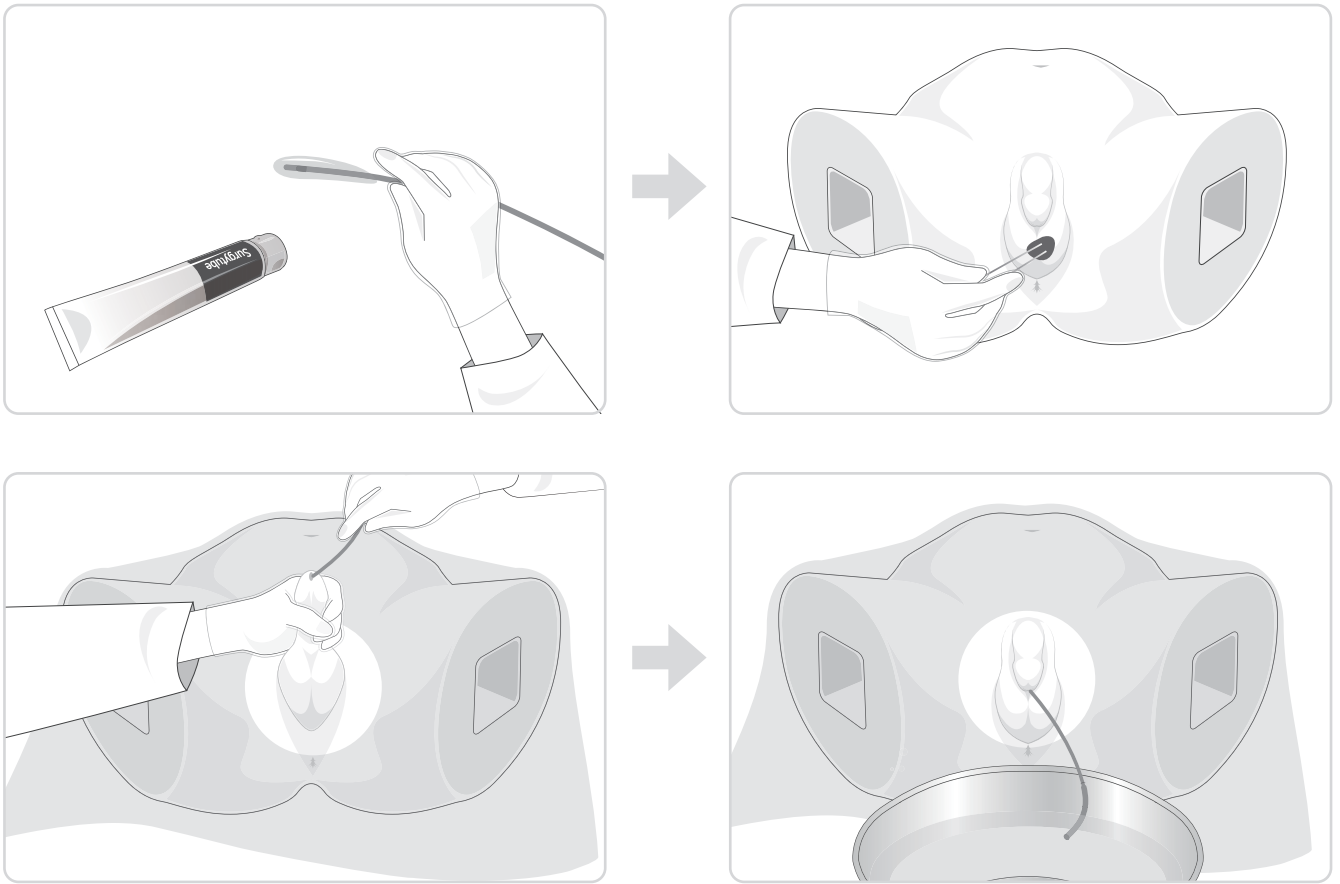
Functions

<Indwelling catheterization>

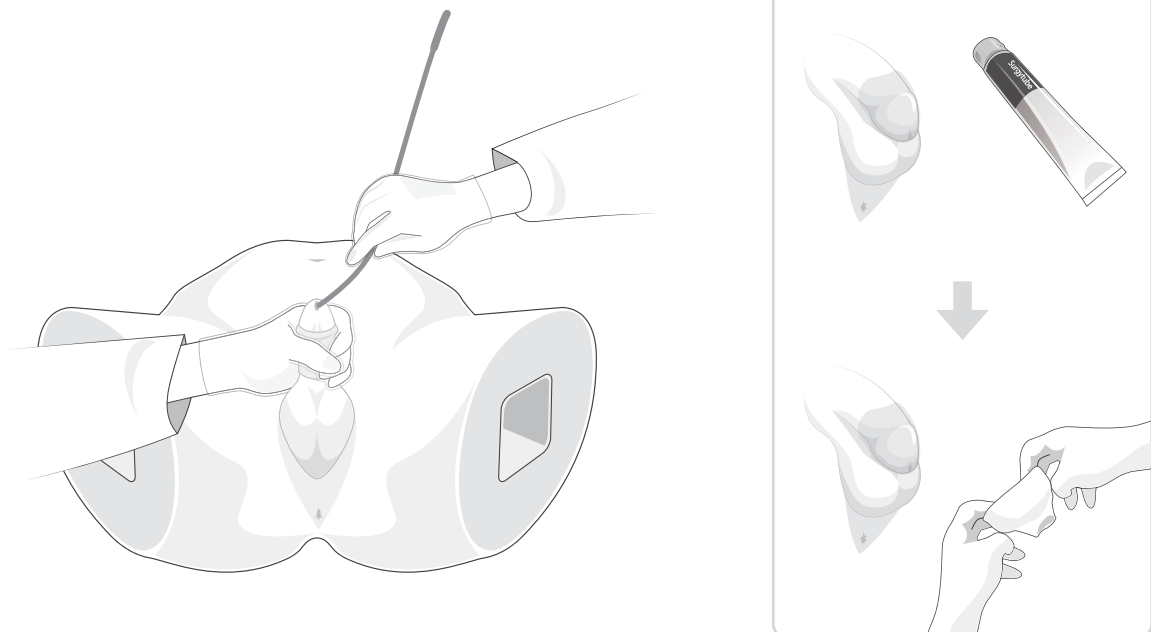


- When practicing urination, be sure to apply enough lubricant to the catheter.

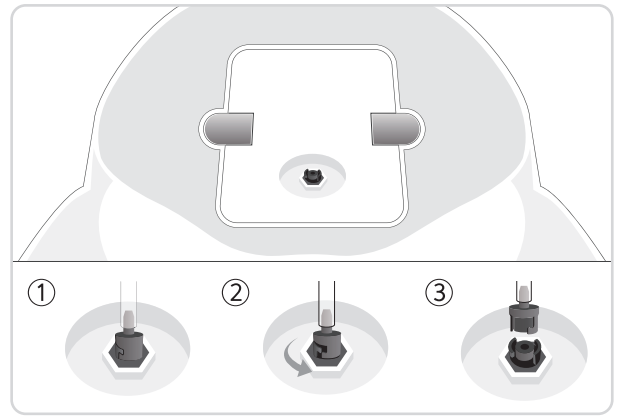
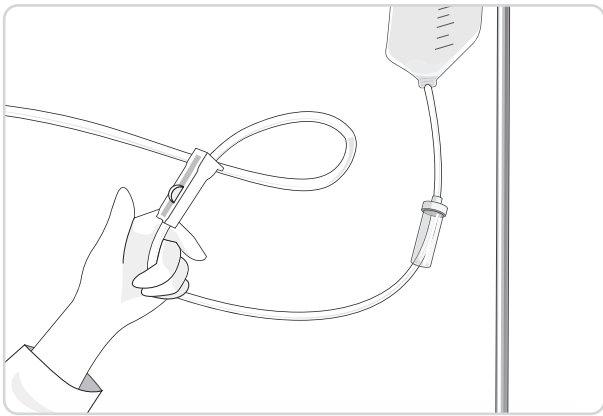
<Nelaton catheterization>



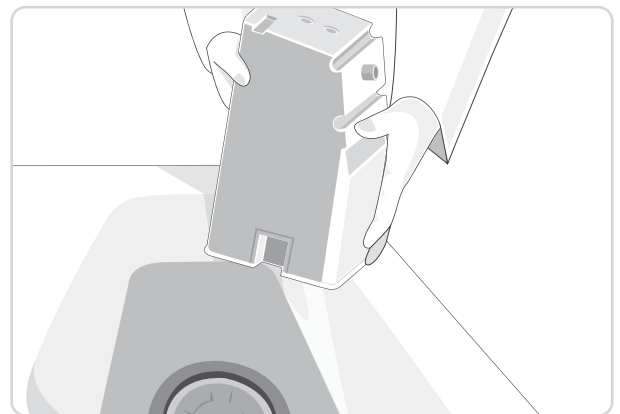
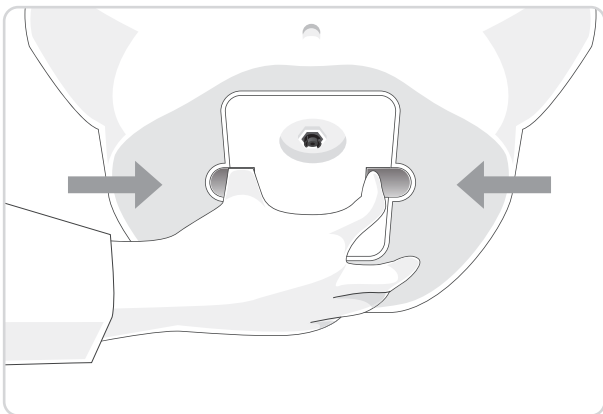
<Practice with preputium>



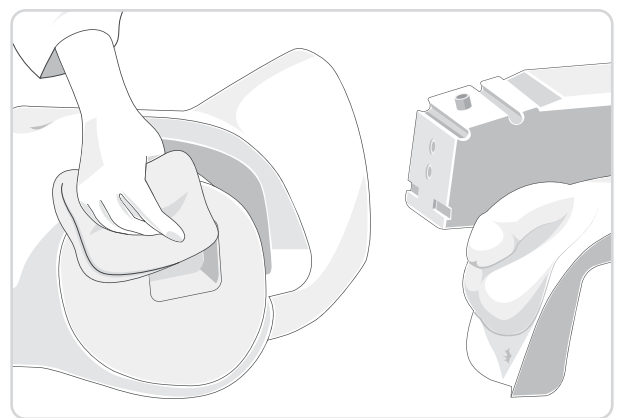
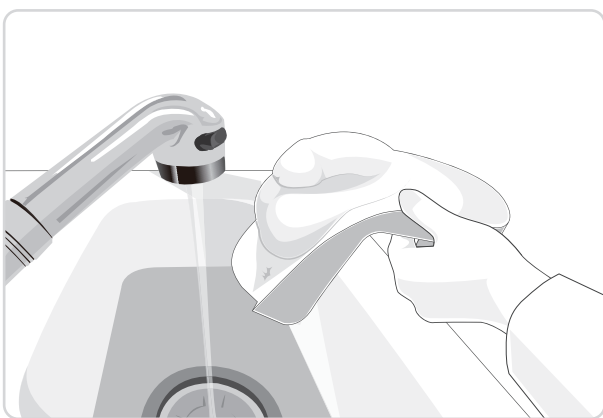
Cleaning and Storage



- Close the roller clamp of urinary supply bag and remove the urinary supply bag after making the manikin stand.



- Take the internal genitalia module out with fingers and flush the left urinary out.



- Wash the external genitalia model and wipe the moisture to make it dry for storage.
- After training with preputium, remove , wash it separately and dry it prior to storage.

BT-CSCM

Male Catheterization Training Model

A-313, Samsung Techno-valley, 140, Tongil-ro
Deogyang-gu, Goyang-si, Gyeonggi-do, 10594, Republic of Korea

Homepage: www.btinc.co.kr / E-mail: bt@btinc.co.kr
Tel: +82-2-2038-2903, +82-51-903-1144 / Fax: +82 303-3130-0607

Copyright(c) BT Inc. All rights reserved.