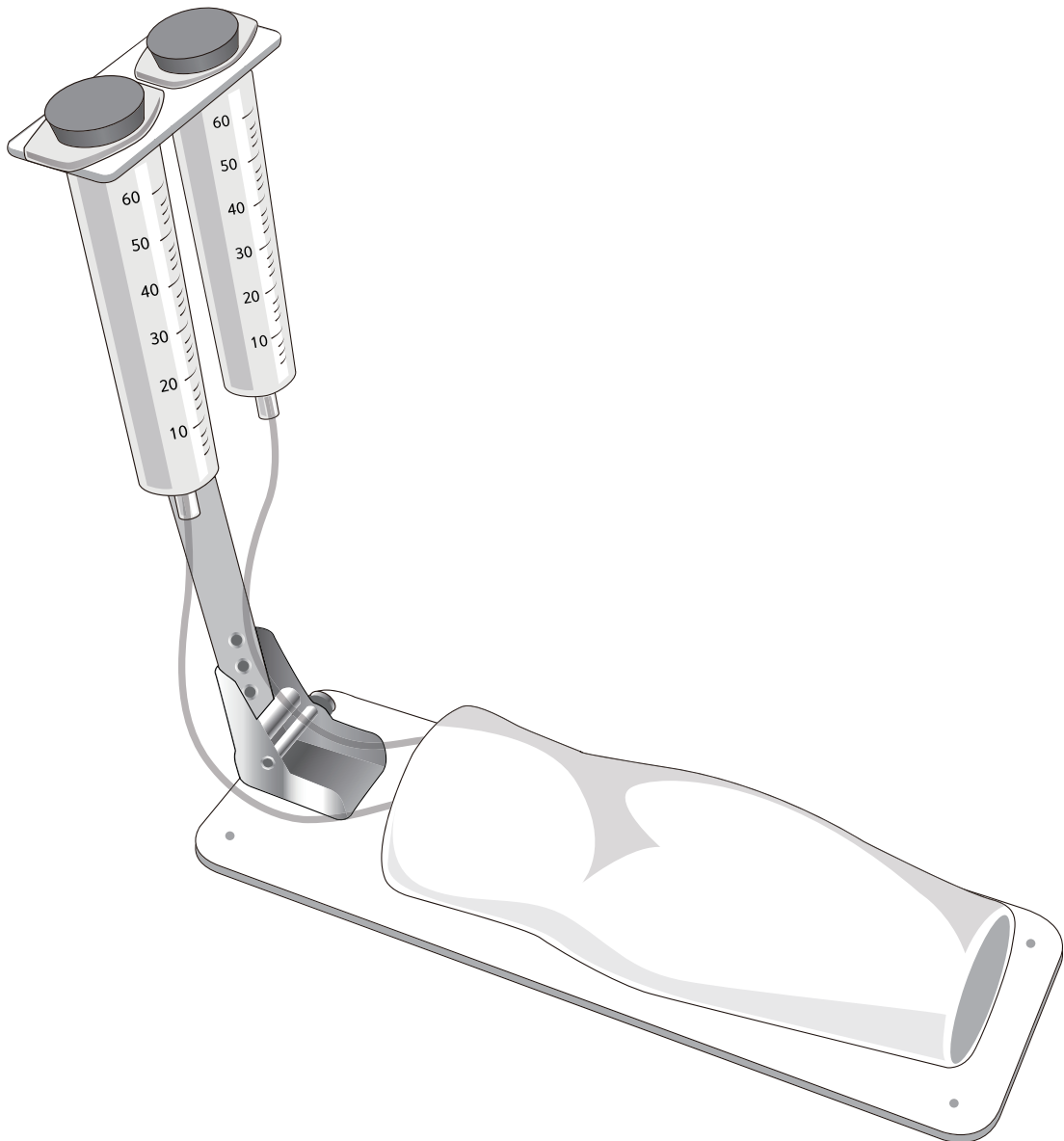


BT-CSIV-S

# Intravenous Injection Training Arm Model

## USER GUIDE



## **Product Information**

Product Name	Intravenous Injection Training Arm Model
Model Name	BT-CSIV-S
Manufacturer	BT Inc.
Country of Origin	Republic of Korea

## **Product Specification**

Dimensions	230 X 90 X 65mm
Weight	1 kg

## **Customer Service**

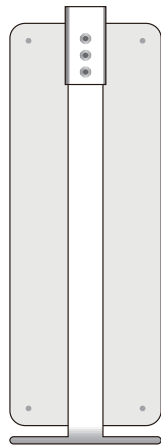
Website	<a href="http://www.btinc.co.kr">www.btinc.co.kr</a>
Address	A-313, Samsung Techno-valley, 140, Tongil-ro, Deogyang-Gu, Goyang-Si, Gyeonggi-do, 10594, Republic of Korea
Telephone	+82-2-2038-2903
E-mail	<a href="mailto:bt@btinc.co.kr">bt@btinc.co.kr</a>

# **| Cautions**

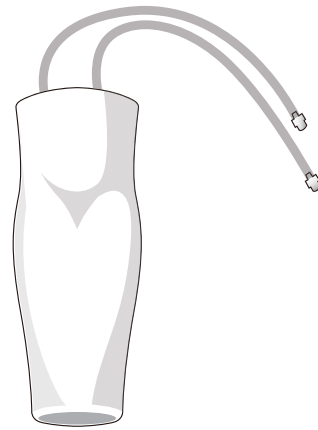
Please read it carefully to ensure correct usage and user's safety through understanding of the product.

- ① Do not use the product for other purposes described in this manual.
- ② If you disassemble or modify the product without any permission by BT Inc, you cannot get the warranty. Also, making imitated or altered products for commercial purposes are prohibited by law.
- ③ Please avoid extremely hot or cold place and do not store it in a humid place for a long time since it may cause a deformation or a damage to the product.
- ④ Never clean the product with chemical substances such as solvent, benzene or thinner, as these may cause ignition or cause the surface deterioration.
- ⑤ BT Inc. can change or adjust the product specification without any notice in order to improve the product.

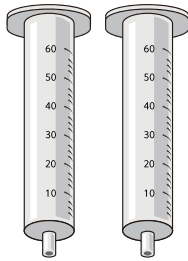
# Components



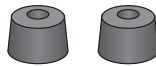
**Stand**



**Arm manikin**



**Blood supply bottle**



**Rubber stopper**



**Simulated Blood**

## Consumables

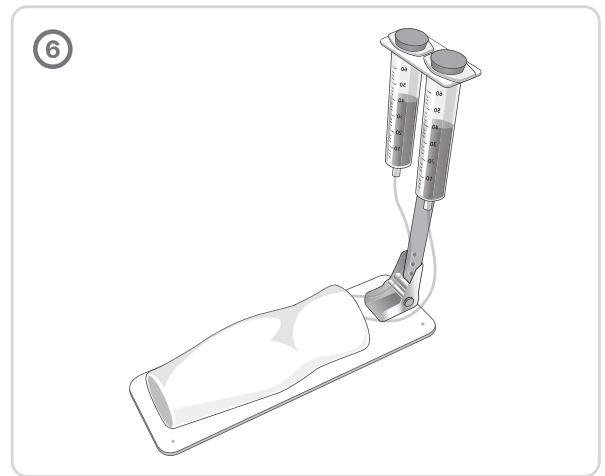
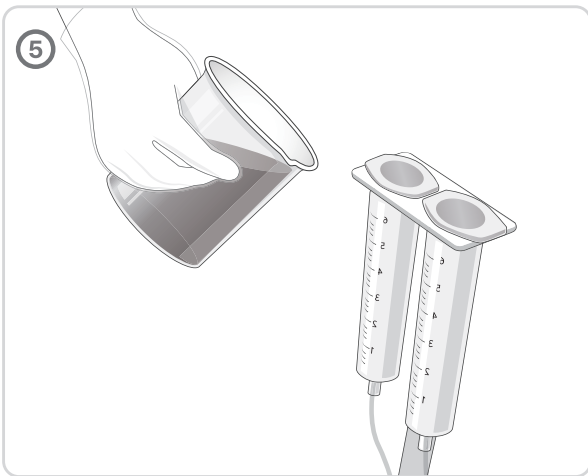
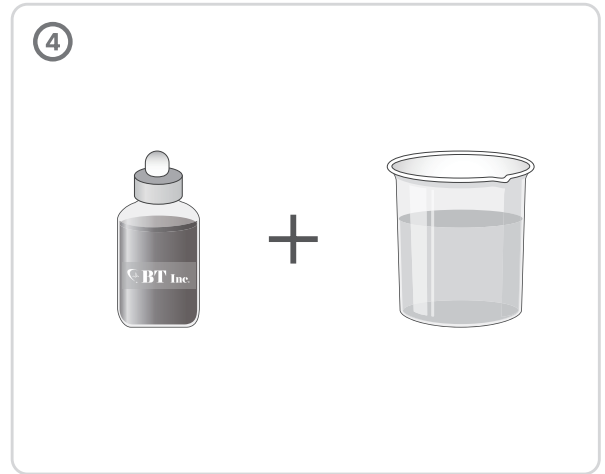
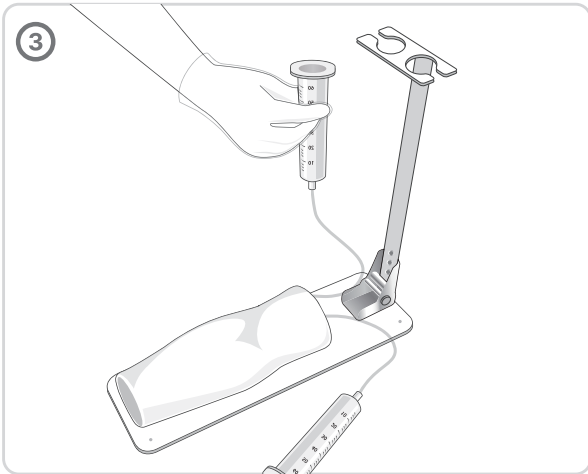
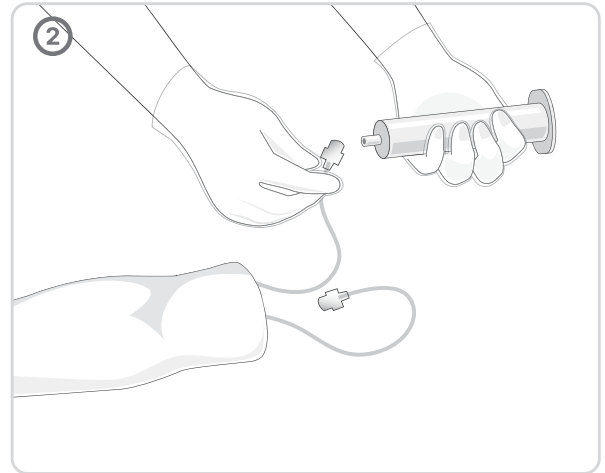
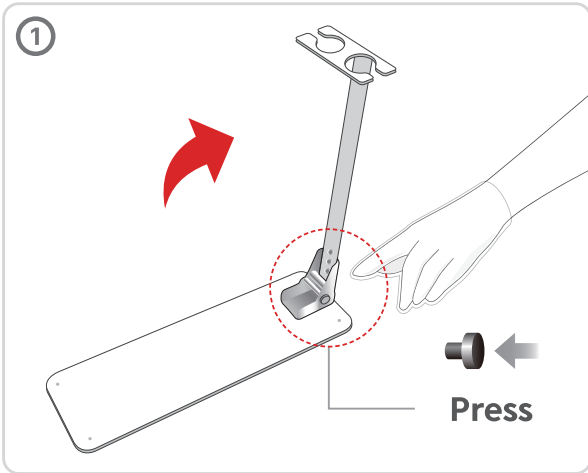
- Arm manikin
- Simulated blood

## Recommended Clinical Supply Sizes

Needle	3cc~5cc, 23G
Angio catheter	22G~24G

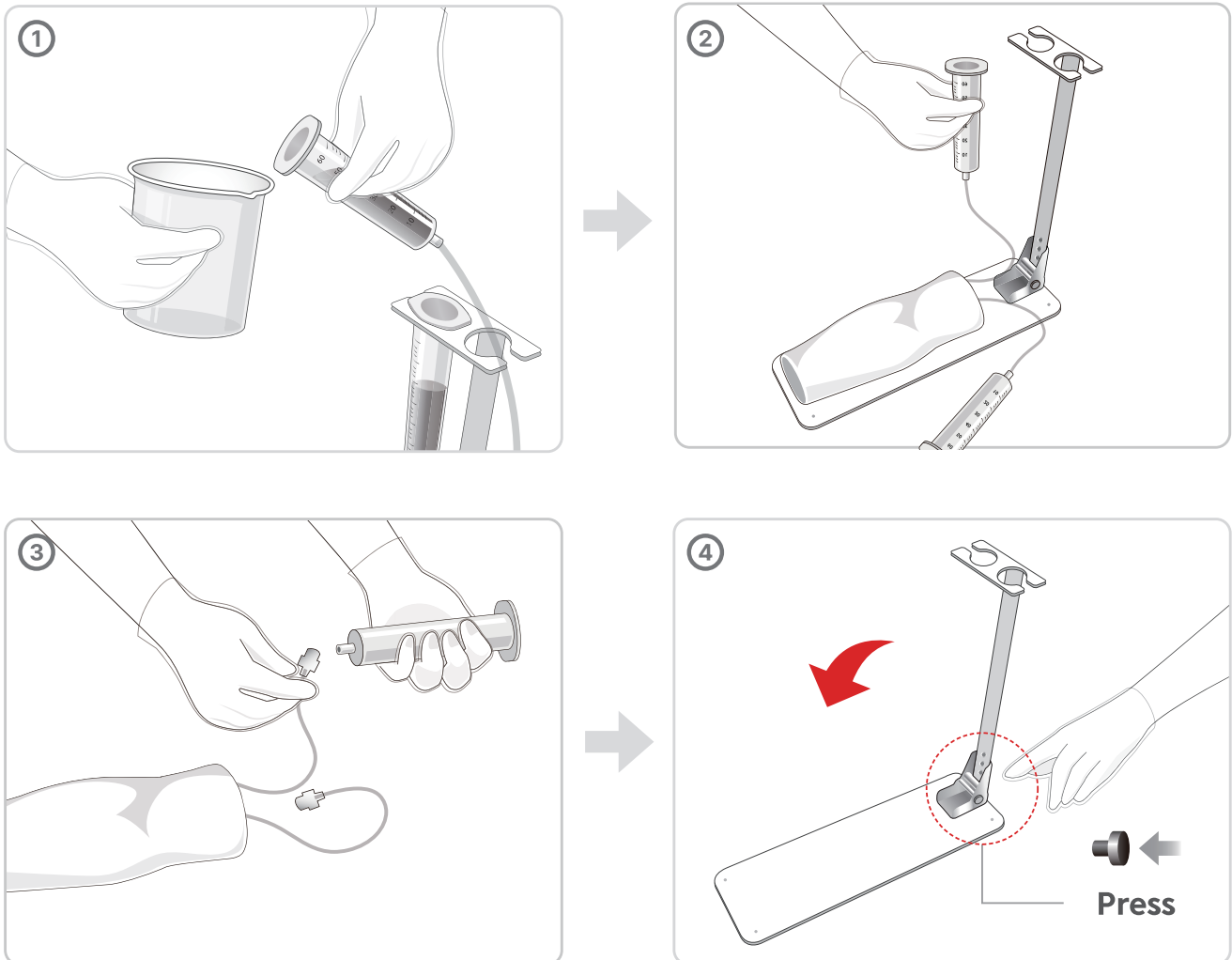
- The following clinical supply sizes are recommended for use with our IV arm models.
- Other sizes may cause damage to the products.
- Lifetime of the consumables may differ depending on the skill level of the users.

# Installation



# Cleaning and Storage

## (1) How to clean the model



- Empty the blood supply bottle.
- Simulated blood can be used multiple times in case you store it in the empty bottle.
- Remove the blood supply bottle from the stand and clean the blood supply bottle with water.
- Disconnect the connectors of the arm manikin and the blood supply bottle.
- When the cleaning is done, store it in the storage case.

## (2) How to maintain the arm model

- Clean the model with the wet cloth.
- In case the additional maintenance is needed, clean it with an alcohol swap or a soft cloth soaked in alcohol.
- Wipe it out with a clean dried cloth and let it dry.
- The arm manikin is consumable, so please replace those to new arms when the tubes get dirty or there is a leakage.

BT-CSIV-S

# Intravenous Injection Training Arm Model

A-313, Samsung Techno-valley, 140, Tongil-ro  
Deogyang-gu, Goyang-si, Gyeonggi-do, 10594, Republic of Korea

Homepage: [www.btinc.co.kr](http://www.btinc.co.kr) / E-mail: [bt@btinc.co.kr](mailto:bt@btinc.co.kr)  
Tel: +82-2-2038-2903, +82-51-903-1144 / Fax: +82 303-3130-0607

Copyright(c) BT Inc. All rights reserved.